

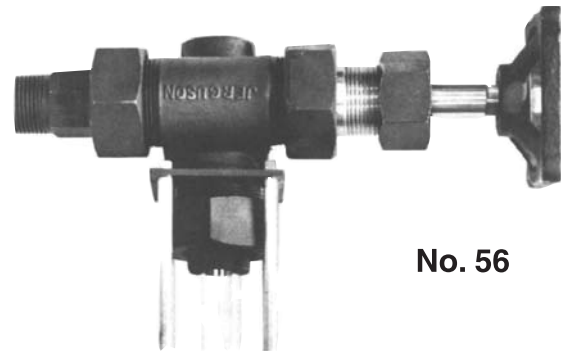
Specialists In Liquid Level Indication For Tubular Glass Gages No. 56, No. 136 & No. 125

Types and connections to suit all requirements

No. 56 Offset union bonnet - renewable seat - Forged body

No. 136 Offset Integral bonnet and seat - Forged body

No. 125 Straight pattern - Integral bonnet and offset - bar stock straight pattern - integral bonnet and seat



No. 56

These tubular glass gage cocks represent years of experience in the manufacture of gage cocks and offer a variety of types and connections to suit all requirements. All have steel bodies with stainless steel trim.

PRESSURE RATINGS

Maximum working pressure dependent on length and resultant pressure rating of glass.

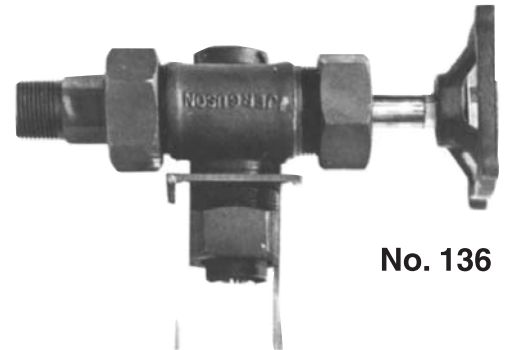
STANDARD FEATURES

No. 56 and No. 136 valves have the following features in common:

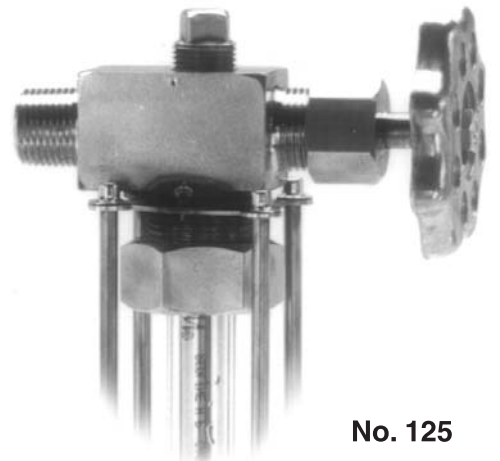
1. $\frac{3}{4}$ " screwed inlet by $\frac{3}{4}$ " tubular glass by $\frac{1}{2}$ " drain.
2. Renewable regrindable stainless steel seat on No. 56.
3. Ballcheck of stainless steel shut-off flow in event of tube breakage.
4. Stainless steel trim.
5. Offset bodies to permit the swabbing of glass by removing plugs from vent and drain.

No. 125 Valve

1. $\frac{1}{2}$ " & $\frac{3}{4}$ " non-union vessel connection.
2. Ballcheck of stainless steel to shut-off in event of tube breakage.
3. Straight pattern body.



No. 136



No. 125

TUBULAR GLASS GAGES SERIES NO. 56, NO. 136 & NO. 125

No. 56 VALVE HAS AS STANDARD

1. Union tailpiece for ease of assembly.
2. Sleeve construction to allow for:
 - (a) quick closing - 90° from full open to tight closing using lever and chain;
 - (b) to allow for backseating stem to protect packing
3. Valves can be used with heavy-duty plastic protector or 4 guard rods.

Rough dimensions: to determine the following, deduct from center to center dimensions –

- For approximate visible glass deduct 4⁵/₈"
- For length of tubular glass deduct 1³/₈"
- For length of guard rods deduct 1¹/₈"

No. 136 VALVE HAS AS STANDARD

1. Union tailpiece for ease of assembly.
2. Simplified bonnet.
3. Plain closing stem only.
4. Valves can be used with heavy duty plastic protector or 4 guard rods.

Rough dimensions: to determine the following, deduct from center to center dimensions -

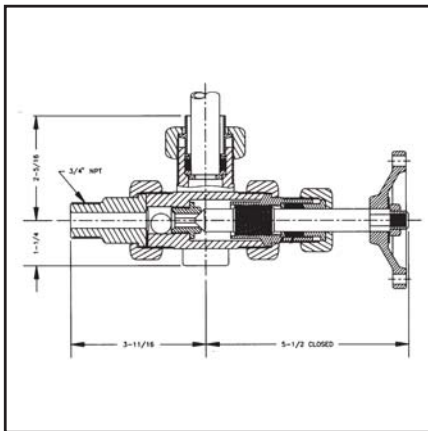
- For approximate visible glass deduct 4⁵/₈"
- For length of tubular glass deduct 1³/₈"
- For length of guard rods deduct 1¹/₈"

No. 125 VALVE HAS AS STANDARD

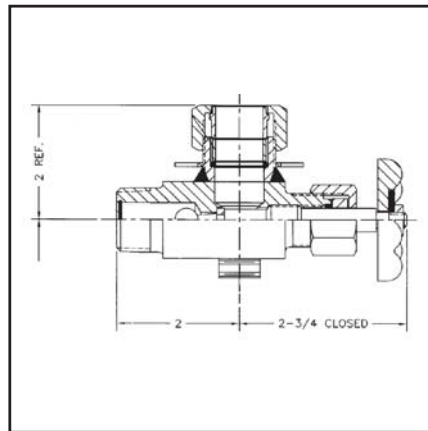
1. Rigid vessel connection.
2. Plain closing stem.
3. Valves can be used with 4 guard rods.

Rough dimensions: to determine the following deduct from center to center dimensions -

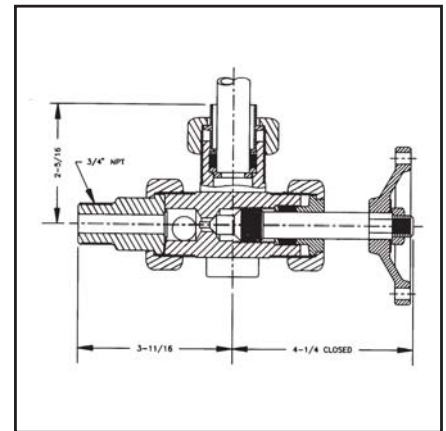
- For approximate visible glass deduct 4"
- For length of tubular glass deduct 2¹/₈"
- For length of guard rods deduct 1¹/₈"



No. 56



No. 125



No. 136

JERGUSON® GAGE AND VALVE

A Division of The Clark • Reliance® Corporation
13200 North Promenade • Stafford, TX 77477 USA
Telephone: (281) 240-4243 Fax: (281) 240-7299

JERGUSON® GAGE AND VALVE

A Division of The Clark • Reliance® Corporation
16633 Foltz Industrial Parkway • Strongsville, OH 44136 USA
Telephone: (440) 572-1500 Fax: (440) 238-8828

