

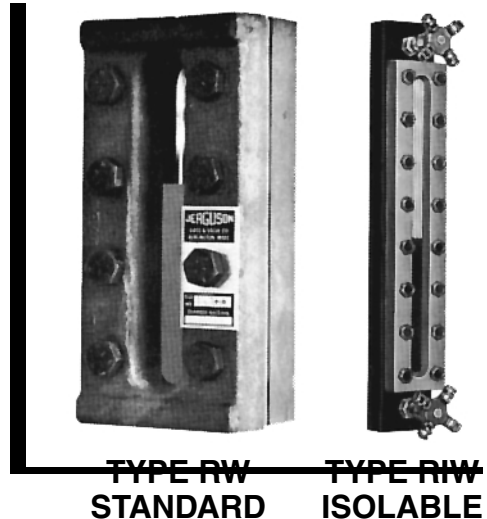
JERGUSON

Specialists In Liquid Level Indication

Flat glass liquid level gages designed to become an integral part of the vessel

Jerguson Welding Pad Gages are used where conventional gage and valve construction is impractical because of (1) solid matter in suspension, (2) under conditions where the thermal error caused by piping to a gage glass cannot be tolerated, or (3) where space requirements suggest their use.

Jerguson Welding Pad Gages are made in both Reflex and Transparent types... in most Jerguson standard sizes. Reflex gages are used where liquid level reading only is required. Transparent gages are usually used where installation is made on each side of the vessel to give see-through visibility.



STANDARD WELDING PAD GAGES

Design and Installation: Standard Jerguson welding pad gages follow other Jerguson flat glass gages in general design and materials, except for the method of attaching to the tank or vessel. The chamber of the welding pad gage consists of a bar stock pad, which is welded to the tank after cutting a slot in the tank wall equal in dimension to the vision slot of the gage. Alternately, for maximum vessel strength without further reinforcement, two holes may be drilled in the tank wall with diameters equal to the width of the vision slot of the gage located at the top and the bottom of the visible range. For best results the tank wall behind a reflex gage should provide a dark background. The holes, in lieu of the slot method, can be used with the transparent type gage if there is sufficient visual contrast between the tank and the liquid to permit liquid level or interface observation.

Pressure Loads: Where it is necessary to slot the tank because of the nature of the liquid or there is need to observe the color or interface of the liquid, the following facts must be considered:

Standard welding pad gages will withstand loadings due to the pressure within the gage itself, but they are not designed to replace the tank strength lost when the tank wall is cut. The gage manufacturer has no control over the loading which the pressure vessel will impose on the pad. It is therefore impossible to rate welding pad gages. The tank fabricator must provide suitable tank wall reinforcement to prevent the pad from being distorted during welding or while under operating conditions.

Materials and Construction: Jerguson Welding Pad Gages are engineered and built to Jerguson's high standards, using materials found by test to be the best for the particular application. The welding pad may be made of any material desired to withstand corrosive or other conditions.

To prevent distortion during welding, welding pad gages may be furnished with a cold rolled steel spacer to replace glass and gaskets.

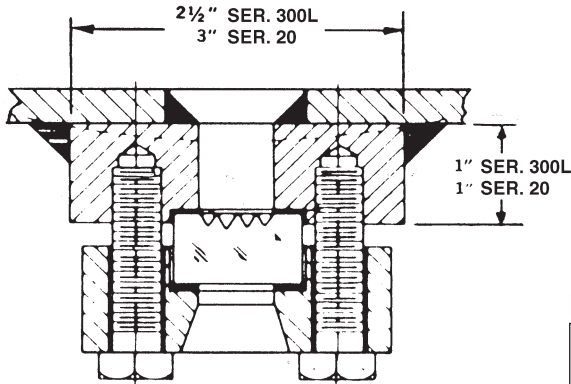
ISOLABLE WELDING PAD GAGES

Jerguson Isolable Welding Pad Gages with integral valves follow the general design of standard Jerguson welding pad gages but offer the additional advantages of integral valves.

Because the gage can be isolated from the vessel by the valves, gaskets or glass can be replaced without lowering the level of liquid below the gage inlet or relieving pressure from the vessel.

Isolable gages are installed by matching the valve inlets with holes drilled in the vessel and making a 100% fillet weld between the vessel wall and the valve inlets. The gage chamber is tack welded to the vessel.

SERIES WP WELDING PAD LIQUID LEVEL GAGES



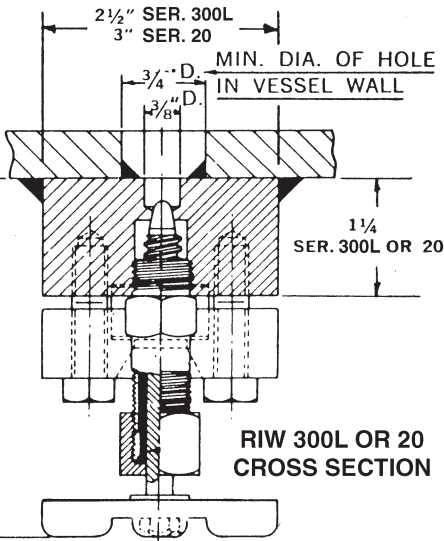
**RW 300L or 20
Cross Section**

RW-300L OR TW-300L

| Size No. | No. of Bolts /Sect. | Visible Glass In Inches | Number of Sections | | | | |
|----------|---------------------|-------------------------|-----------------------|--------|--------|--------|--------|
| | | | Dimension A In Inches | | | | |
| | | | 1 | 2 | 3 | 4 | |
| 15 | 18 | 14 1/4 | 16 1/8 | 32 1/4 | 48 1/4 | 64 1/4 | 64 1/4 |
| 18 | 22 | 17 1/4 | 19 1/8 | 38 1/4 | 57 1/4 | 76 1/4 | 76 1/4 |
| 20 | 24 | 19 1/4 | 21 1/8 | 42 1/4 | 63 1/4 | 84 1/4 | 84 1/4 |

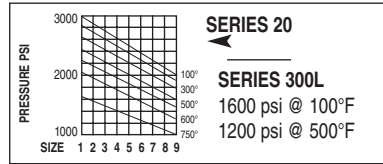
RW-20 OR TW-20

| Size No. | Cap Screws /Sect. | Visible Glass | Number of Sections | | | | |
|----------|-------------------|---------------|--------------------------|--------|--------|--------|--------|
| | | | Overall Length In Inches | | | | |
| | | | 1 | 2 | 3 | 4 | |
| 1 | 6 | 3 1/4 | 5 1/4 | 10 1/2 | 15 1/4 | 21 | 21 |
| 2 | 6 | 4 1/4 | 6 1/4 | 12 1/2 | 18 1/4 | 25 | 25 |
| 3 | 8 | 5 1/4 | 7 1/4 | 14 1/2 | 21 1/4 | 29 | 29 |
| 4 | 10 | 6 1/4 | 8 1/4 | 16 1/2 | 24 1/4 | 33 | 33 |
| 5 | 10 | 7 1/4 | 9 1/4 | 18 1/2 | 28 1/4 | 37 1/2 | 37 1/2 |
| 6 | 12 | 9 1/4 | 10 1/4 | 21 1/2 | 31 1/4 | 42 1/2 | 42 1/2 |
| 7 | 14 | 10 1/4 | 11 1/4 | 23 1/2 | 35 1/4 | 47 | 47 |
| 8 | 16 | 11 1/4 | 13 1/4 | 26 1/2 | 40 1/4 | 53 1/2 | 53 1/2 |
| 9 | 16 | 12 1/4 | 14 1/4 | 28 1/2 | 42 1/4 | 56 1/2 | 56 1/2 |



**RIW 300L OR 20
CROSS SECTION**

ISOLABLE WELDING PAD GAGES



RIW-300L OR TIW-300L

| Size No. | No. of Bolts /Sect. | Visible Glass In Inches | Number of Sections | | | | |
|----------|---------------------|-------------------------|--------------------------|--------|--------|--------|--------|
| | | | Overall Length In Inches | | | | |
| | | | 1 | 2 | 3 | 4 | |
| 15 | 18 | 14 1/4 | 19 1/4 | 35 1/4 | 51 1/4 | 67 1/4 | 67 1/4 |
| 18 | 22 | 17 1/4 | 22 1/4 | 41 1/4 | 60 1/4 | 79 1/4 | 79 1/4 |
| 20 | 24 | 19 1/4 | 24 1/4 | 45 1/4 | 66 1/4 | 87 1/4 | 87 1/4 |

RIW-20 OR TIW-20

| Size No. | Cap Screws /Sect. | Visible Glass | Number of Sections | | | | | | | | |
|----------|-------------------|---------------|--------------------------|--------|--------|--------|--------|--------|---------|---------|---------|
| | | | Overall Length In Inches | | | | | | | | |
| | | | 1 | 2 | 3 | 4 | 5 | 6 | 7 | 8 | 9 |
| 1 | 6 | 3 1/4 | 8 1/4 | 14 | 19 1/4 | 24 1/2 | 29 1/4 | 35 | 40 1/4 | 45 1/2 | 50 1/4 |
| 2 | 6 | 4 1/4 | 9 1/4 | 16 | 22 1/4 | 28 1/2 | 34 1/4 | 41 | 47 1/4 | 53 1/2 | 59 1/4 |
| 3 | 8 | 5 1/4 | 10 1/4 | 18 | 25 1/4 | 32 1/2 | 39 1/4 | 47 | 54 1/4 | 61 1/2 | 68 1/4 |
| 4 | 10 | 6 1/4 | 11 1/4 | 20 | 28 1/4 | 36 1/2 | 44 1/4 | 53 | 61 1/4 | 69 1/2 | 77 1/4 |
| 5 | 10 | 7 1/4 | 12 1/4 | 22 1/4 | 31 1/4 | 41 | 50 1/4 | 59 1/4 | 69 1/4 | 78 1/2 | 87 1/4 |
| 6 | 12 | 9 1/4 | 14 1/4 | 24 1/4 | 35 1/4 | 46 | 56 1/4 | 67 1/4 | 77 1/4 | 88 1/2 | 99 1/4 |
| 7 | 14 | 10 1/4 | 15 1/4 | 27 | 38 1/4 | 50 1/2 | 62 1/4 | 74 | 85 1/4 | 97 1/2 | 109 1/4 |
| 8 | 16 | 11 1/4 | 16 1/4 | 30 1/4 | 43 1/4 | 57 | 70 1/4 | 83 1/4 | 97 1/4 | 110 1/2 | 123 1/4 |
| 9 | 18 | 12 1/4 | 17 1/4 | 31 1/4 | 45 1/4 | 60 | 74 1/4 | 88 1/4 | 102 1/2 | 116 1/2 | 130 1/4 |

JERGUSON® GAGE AND VALVE

A Division of The Clark • Reliance® Corporation
13200 North Promenade • Stafford, TX 77477 USA
Telephone: (281) 240-4243 Fax: (281) 240-7299

JERGUSON® GAGE AND VALVE

A Division of The Clark • Reliance® Corporation
16633 Foltz Industrial Parkway • Strongsville, OH 44136 USA
Telephone: (440) 572-1500 Fax: (440) 238-8828

