



# GAGE COCKS

Section: J100  
Bulletin: J100.53  
Date: 1/1/99  
Supersedes: 70

Specialists In Liquid Level Indication For Reflex or Transparent Glass Gages No. 70

## 900 lb. ANSI rated valves bolted bonnets, OS&Y construction

■ Stainless steel trim    ■ Reciprocating Backseating stem

Jerguson No. 70 Series Valves are designed for use with flat glass gages, instrument piping and for other applications requiring a rugged valve. Pressure and temperature ratings to 900 lb. ANSI flange standards or manufacturer's ratings.

### NO. 70 SERIES VALVES

The series consists of the following valves:

- No. 73 - straight pattern with female NPT gage connection
- No. 74 - straight pattern with union gage connection
- No. 76 - offset pattern with female NPT gage connection
- No. 77 - offset pattern with union gage connection

### PRESSURE RATINGS

4000 lbs. @ 100°F., 1500 lbs. @ 750°F.

ANSI 900 lbs. standard up to 750°F. Special packing and materials available for temperatures to 1,000°F.

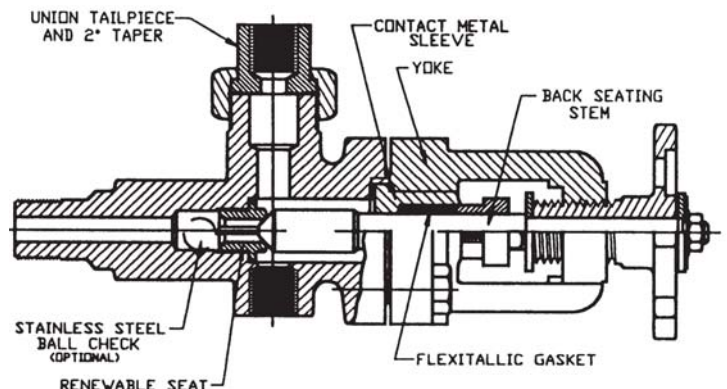
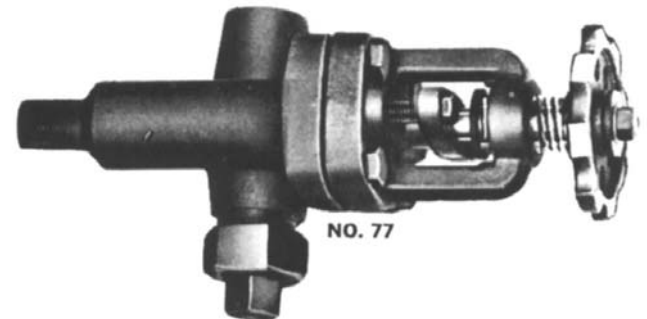
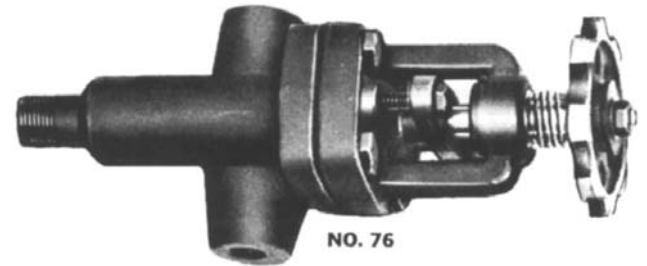
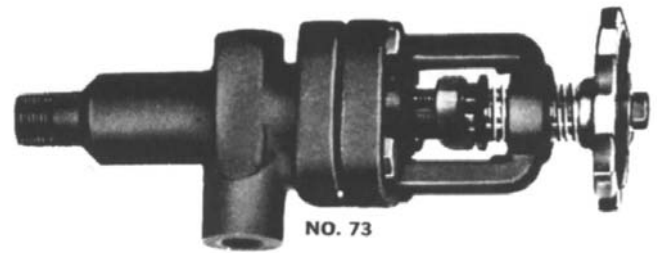
### STANDARD FEATURES

**OS&Y + Backseating Stem:** The yoke supports the stem away from the valve body so the threaded portion of the stem is unaffected by the heat and does not come in contact with process fluids. The stem has a backseating area which allows repacking the valve under pressure.

**Renewable Seat:** The seat may be renewed by removing the seat with a  $\frac{5}{8}$ " socket wrench.

**Union Gage Connection:** Nos. 74 and 77 are furnished with a union gage connection which allows a top and bottom connected gage to be turned to any desired angle for convenient visibility. It also makes the possible removal of the gage without removing the valves - a feature which saves time when gages must be cleaned or maintained.

**Offset Pattern:** Nos. 76 and 77 valve bodies are designed so the gage and drain connections are offset  $\frac{7}{8}$ " from the  $\text{C}$  of the vessel connections. By removing the plugs the interior of a top and bottom connected gage glass may be swabbed without removing the gage.



# NO. 70 SERIES VALVES

## MATERIALS

No. 70 Series Valve bodies are steel, with stainless steel stem and seat. Carbon steel on other parts. Valves can be furnished in 316 stainless steel also.

## STANDARD CONNECTIONS

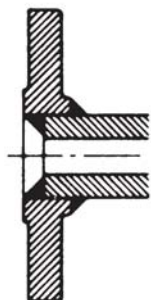
Vessel:  $\frac{3}{4}$ " Male  
 Drain:  $\frac{1}{2}$ " Female  
 Gage:  $\frac{1}{2}$ " Female

## OPTIONAL CONNECTIONS

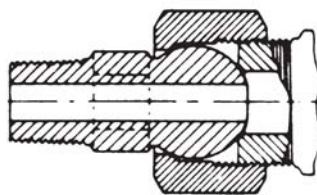
Vessel: 1" Male or  $\frac{3}{4}$ " or 1" weld end  
 Gage:  $\frac{3}{4}$ " Female  
 $\frac{1}{4}$ ",  $\frac{1}{2}$ " or  $\frac{3}{4}$ " Male on union valves (Nos. 74, 77)

## SPECIAL CONNECTIONS (extra charge)

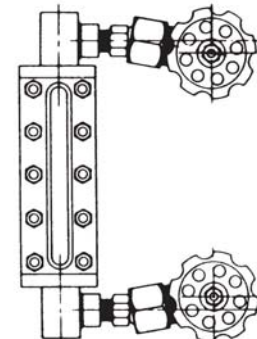
No. 70 Series Valves can be furnished with  $\frac{3}{4}$ " or 1" flanged or welding end vessel connections. Spherical union gage connections may be furnished to compensate for piping errors. Spherical unions will compensate for up to 10° misalignment of tapping and up to plus or minus  $\frac{3}{4}$ " variation from mean centers when used with side connected gages.



FLANGED



SPHERICAL UNION  
 GAGE CONNECTION ONLY



(EFFECT OF SPHERICAL UNION)

## SPECIAL FEATURES (extra charge)

**Downstream (outlet) Ball Check:** No. 74, 77. An additional safety feature in the bottom valve of a top and bottom connected assembly is a vertical rising ball check on the downstream side of the seat. This arrangement shuts off the flow of liquid in case of fracture of the instrument or connecting piping and eliminates the horizontal ball in the bottom fitting. A  $\frac{1}{2}$ " male drain is standard. A cap may be furnished on request. Ball checks are horizontal with side connected gages.



**Bleed Fitting:** A bleed fitting is available making it possible to bleed pressure from the valve and connected instrument without breaking any threaded connections. The bleed fitting is designed so its stem cannot be with drawn accidentally. It is tapped for  $\frac{1}{8}$ " discharge tube.



## ROUGHING DIMENSIONS

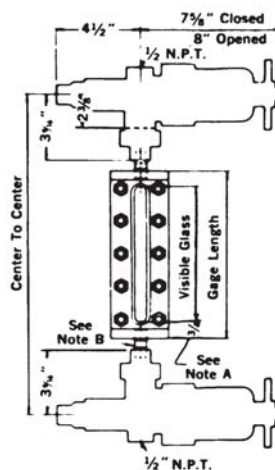
To determine maximum space available for top and bottom connected gage, deduct from center to center dimension:

5 $\frac{1}{4}$ " on No. 73, 76  
 7 $\frac{5}{8}$ " on No. 74, 77

Note A.  $\frac{3}{4}$ " dimension applies to all  $\frac{1}{2}$ " NPT end connected Reflex and Transparent Gages except T-30 which is 1 $\frac{3}{8}$ " and L-10 which is 1 $\frac{1}{4}$ ".

Note B. To determine overall length of  $\frac{1}{2}$ " nipples and  $\frac{7}{8}$ " to distance between gage and valve.

**For side connected gages:** Refer to unit on gage for centers. Straight valves will have equal centers. Offset valve centers will be 1 $\frac{3}{4}$ " more (offset outside gage centers) or less (offset inside gage centers).



### JERGUSON® GAGE AND VALVE

A Division of The Clark • Reliance® Corporation  
 13200 North Promenade • Stafford, TX 77477 USA  
 Telephone: (281) 240-4243 Fax: (281) 240-7299

### JERGUSON® GAGE AND VALVE

A Division of The Clark • Reliance® Corporation  
 16633 Foltz Industrial Parkway • Strongsville, OH 44136 USA  
 Telephone: (440) 572-1500 Fax: (440) 238-8828