

Internal Type IM and DIM Separators

Anderson Internal Type IM and DIM Hi-eF Separators are designed for upflow service. Type IM is a one piece unit; Type DIM is a multi-section unit. Their compactness permits installation through manways in existing installations where the user needs a more efficient process.

OPERATION

The entrainment laden vapor passes through a set of especially designed vanes in the Type IM or DIM Separator which impart a centrifugal scrubbing motion to the stream. This set of vanes coalesces the fine droplets and throws them to the outside of the stream draining back through ejects to the liquid level in the evaporator.

APPLICATIONS

Evaporators — Distillation Units — Concentrators
— Vacuum Towers — Packed Towers — Deodorizers
and Receivers — Knockout Drums —

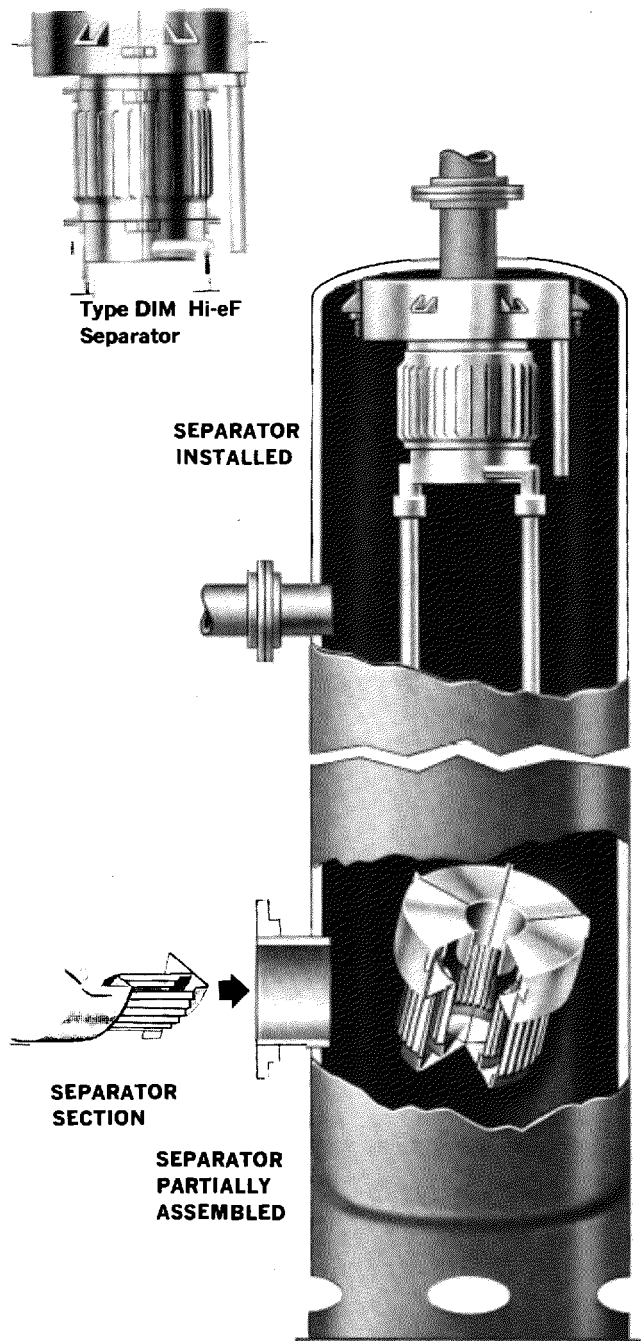
FEATURES

COMPACT DESIGN — Permits easy installation through manways in existing installations.

LOW MAINTENANCE — No moving parts, nothing to wear out, no filter or screens and Hi-eF Separators clean themselves.

ECONOMY — Costs no more than ordinary, less efficient separators.

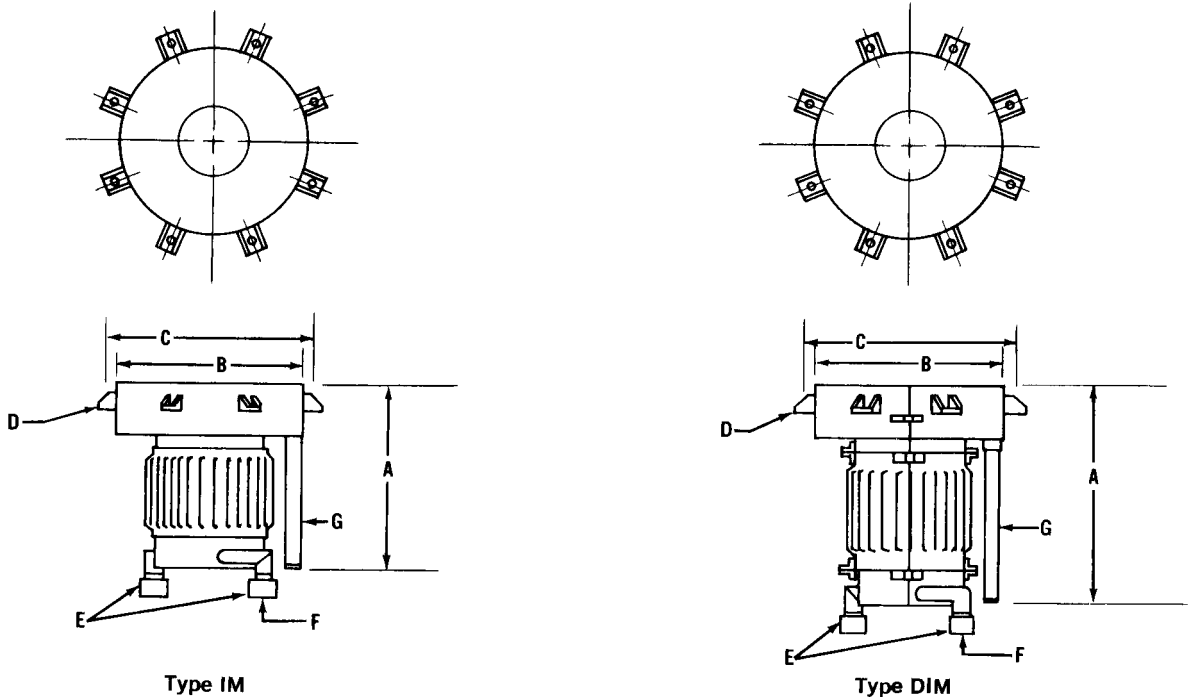
PERFORMANCE — Hi-eF Separators are designed to remove virtually all entrainment 10 microns in size and larger.



Top portion of tank illustrates the Type DIM or IM Hi-eF Separator in operating position. The bottom portion shows how the Type DIM is installed in sections through the manway in the vessel.

ANDERSON SEPARATOR

Internal Type IM and DIM Separators



TYPE IM AND DIM (Upflow Type) INTERNAL SEPARATORS

NOM. PIPE SIZE		3	4	5	6	8	10	12	14	16	18	20	22	24	26	28	30	33	36
HEIGHT TYPE IM	A	12	13	14	15	18	20	22	26	27	29	30	36	36	41	42	47	50	52
HEIGHT TYPE DIM	A	12	13	14	15	20	23	24	28	30	32	33	39	39	44	45	50	53	55
DIAMETER	B	10	11	13	14	16	19	22	26	28	30	32	34	36	40	42	48	52	57
DIA BOLT CIRCLE	C	12	13	15	16	18	21	24	28	30	32	34	36	38	42	44	50	54	59
NO LUGS	D	4	4	4	4	4	4	4	8	8	8	8	12	12	12	12	12	12	12
NO DRAINS	E	1	1	1	1	1	1	1	1	2	2	2	2	2	2	2	2	2	2
SIZE DRAINS	F	1½	1½	1½	1½	1½	1½	2	2	2	2	2	2	2	2	2	2	2½	2½
AUX DRAIN	G	¾	¾	¾	1	1	1	1	1	1	1	1	1	1	1	1	1	1½	1½
MIN. I.D TANK		15	17	18	20	25	30	35	40	45	50	53	60	66	72	76	81	90	95
MIN I D MWY FOR DIM		16	16	16	16	16	16	16	18	18	20	20	20	20	20	20	20	20	20

Dimensions in inches

Note Separator sizes larger than 36" available

SPECIFICATIONS

Anderson Internal Type IM and DIM Hi-eF Separators are available in fabricated steel, stainless steel and other alloys. Units shown in above table are designed to pass through manways as noted. Anderson Type IM and DIM Separators available in larger sizes up through 60".

ANDERSON SEPARATOR

Internal Type ID and DID Separators

Anderson Internal Type ID and DID Hi-eF Separators are designed for downflow service. Type ID is a one piece unit; Type DID is a multi-section unit. Their compactness permits installation through manways in existing installations where the user desires to make his process more efficient.

OPERATION

The entrainment laden vapor enters the top of the Internal Type ID or DID Hi-eF Separator and receives a rapid downward rotary motion as it passes downward through the unit. The controlled centrifugal force removes the entrainment which is returned below the liquid level by means of ejects. The vapor, free from entrainment, passes through the evaporator outlet.

APPLICATIONS

Evaporators — Distillation Units — Concentrators — Vacuum Towers — Packed Towers — Deodorizers and Receivers — High Efficiency Scrubbers — Knockout Drums —

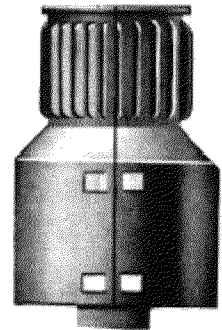
FEATURES

COMPACT DESIGN — Permits easy installation through manways in existing installations.

LOW MAINTENANCE — No moving parts, nothing to wear out, no filter or screens and Hi-eF Separators clean themselves.

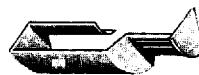
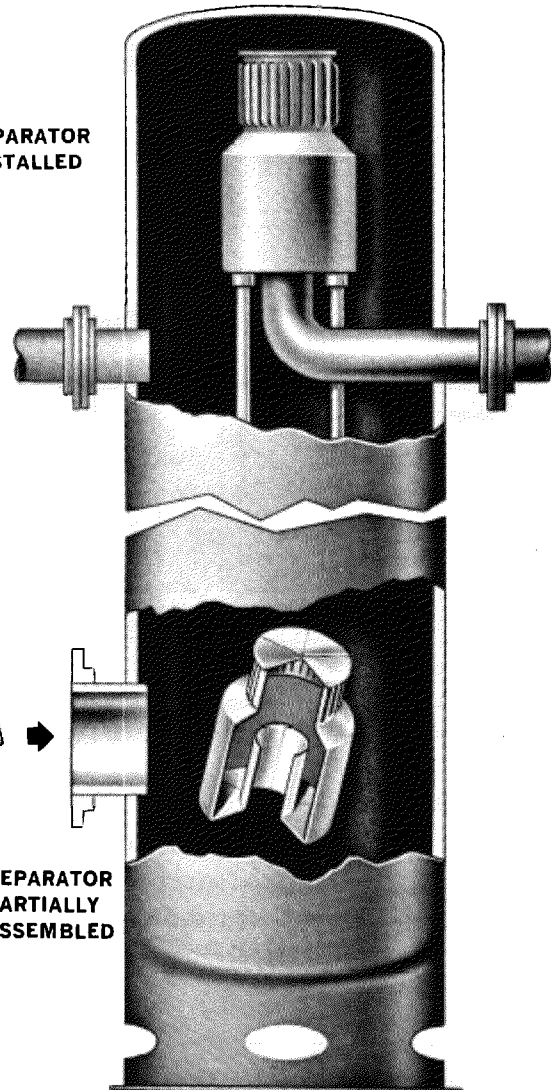
ECONOMY — Costs no more than ordinary, less efficient separators.

PERFORMANCE — Hi-eF Separators are designed to remove virtually all entrainment 10 microns in size and larger.



Type DID Hi-eF Separator

SEPARATOR
INSTALLED



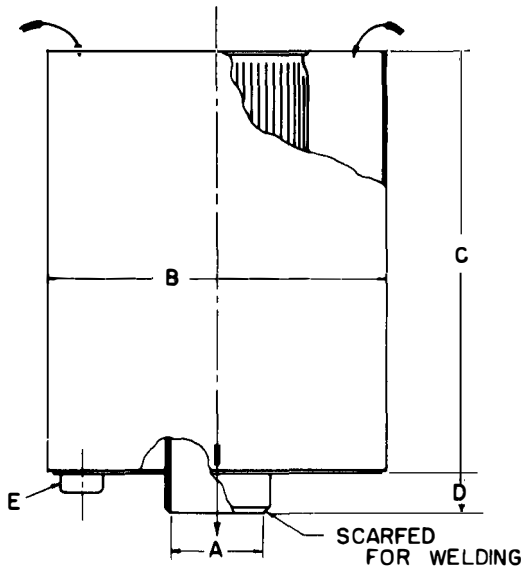
SEPARATOR
SECTION

SEPARATOR
PARTIALLY
ASSEMBLED

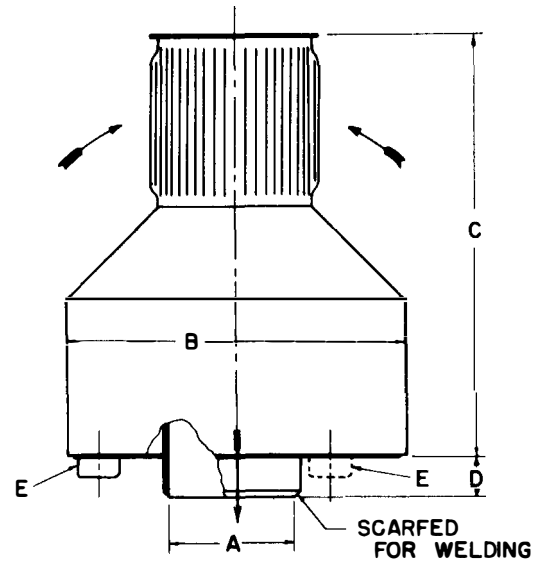
Top portion of tank illustrates the Type DID or ID Hi-eF Purifier in operating position. The bottom portion shows how the Type DID is installed in sections through the manway in the vessel.

ANDERSON SEPARATOR

Internal Type ID and DID Separators



ID — 4 Through ID — 10



ID — 12 Through ID — 36

TYPE ID AND DID (Downflow Type) INTERNAL SEPARATORS

Nominal Pipe Size ... A	4	5	6	8	10	12	14	16	18	20	22	24	26	28	30	33	36
Outside Diameter B	10¾	12¾	14	16	20	24	28	32	36	40	42	44	48	50	54	60	66
Height C	11½	13½	16	20½	24½	31½	37½	40½	45½	48½	57½	60½	66½	69½	77½	84	90½
..... D	2	2	2	2	2	3	3	3	3	3	3	3	4	4	4	4	4
Drain Size* E	1	1¼	1¼	1½	2	2	2	2	2	2	2	2	2½	2½	2½	2½	2½
Min. I D Tank	15	17	18	20	25	30	35	40	45	50	53	56	60	64	69	76	83
Min. I.D. Mwy for DID	16	16	16	16	16	16	16	18	20	24	24	24	24	24	24	24	24

DIMENSIONS IN INCHES

*One drain furnished through 24" and two drains on larger sizes

Note: Separator sizes larger than 36" available.

SPECIFICATIONS

Anderson Internal Type ID and DID Hi-eF Separators are available in fabricated steel, stainless steel and other alloys. Units shown in above table are designed to pass through a manway as noted. Anderson Type ID and DID Separators available in larger sizes up through 60".

ANDERSON™ SEPARATOR COMPANY

A Division Of The Clark-Reliance Corporation

16633 FOLTZ INDUSTRIAL PARKWAY ■ STRONGSVILLE, OHIO 44136, U.S.A
PHONE: (440) 572-1500 ■ FAX: (440) 238-8828 ■ WWW.CLARK-RELIANCE.COM

REPRESENTED BY: YATES & COMPANY, INC.

1 Hollywood Ave, Unit 22 HoHoKus, NJ 07423

Tel: 201-345-3101

Email: info@yatesco.net

ASME CODE STAMPS

