



TEL-TRU MANUFACTURING COMPANY

SANITARY BIMETAL THERMOMETERS

This heavy duty thermometer meets 3A Standard Number 74-02, Sanitary Standard for sensors and sensor fittings and connectors used in milk and milk products. Other applications include food and beverage processing and the pharmaceutical industry.

No thermowell is required because a Tri-Clamp® sanitary fitting is integral to the thermometer, reducing installation and instrument costs.

► MODEL CODES (all models include calibration feature and sanitary fitting):

Back Connected	SGT-300R	3" diameter head
	SGT-400R	4" diameter head
	SGT-500R	5" diameter head
Bottom Connected	SBC-350R	3" diameter head
	SBC-450R	4" diameter head
	SBC-550R	5" diameter head
Adjustable Angle	SAA-375R	3" diameter head
	SAA-475R	4" diameter head
	SAA-575R	5" diameter head

► SPECIFICATIONS:

Stem Lengths:	1 ⁵ / ₈ , 2 ¹ / ₂ , 4 ¹ / ₂ , 7 ¹ / ₂ , 10 ¹ / ₂ , 13 ¹ / ₂ , 16 ¹ / ₂ , and 22 ¹ / ₂ ".
Stem Diameter:	.375" standard. .250" optional.
Connection:	316SS Tri-Clamp fitting sizes 3/4*, 1 1/2**, 2, 3, and 4".
External Reset:	Easy to calibrate by inserting Allen wrench into reset opening.
Material:	316SS wetted parts, 304SS non-contact parts.
Hermetic seal:	Per ASME B40.3 dustproof and leakproof.
Dial:	True Anti-Parallax dial, easy-to-read from any angle, minimizes reading errors. Anodized aluminum with large black numbers and graduations.
Lens:	Glass, tempered glass, safety glass, acrylic, or polycarbonate.
Bimetal Coil:	Helix coil is silicone coated on ranges below 500°F for vibration dampening and to maximize heat transfer and response time.
Accuracy:	±1% full span per ASME B40.3 Grade AA.
Over Temperature Limits:	Up to 250°F 100%; 250°F to 550°F, 50%; 550°F to 1000°F, continuous use up to 800°F, intermittent use over 800°F.
Pressure Tested:	Up to 250 psi.
Surface Finish:	All wetted parts, max. 32 micro-inches (.80 microns) on stem, weld radius, and underside of flange, per 3A Standard 74-02.

Tri-Clamp is a registered trademark of Tri-Clover, Inc.

* Used on both 1/2 and 3/4" lines.

** Used on both 1 and 1 1/2" lines.



World-Class Thermometers

Since
1916

www.teltru.com

SANITARY BIMETAL THERMOMETERS

▶ HOW TO ORDER

Example: SGT300R, 2.5" Stem, 0/250F, Glass, 2" Tri-Clamp fitting, 316SS

3410 02 67 B6N AAAA - 20
 XXXX XX XX XXX XXXX - XX

MODEL

3410 SGT300R
4810 SGT400R
3810 SGT500R

3910 SBC350R
4610 SBC450R
4010 SBC550R

4110 SAA375R
4710 SAA475R
4210 SAA575R

STEM

LENGTH ("U")

IC 1.625"
O2 2.5"
CH 4.5"
AT 7.5"
DC 10.5"
EC 13.5"
FJ 16.5"
JQ 22.5"

Other stem lengths available upon request.

RANGE

Fahrenheit		Celsius		Dual	
Code	°/Div. Temp.	Code	°/Div. Temp.	Code	Temp. F Temp. C
56	2° 0/220F	86	1° -20/120C	04	0/220F -10/100C
67	2° 0/250F	74	1° -10/110C	14	0/250F -20/120C
59	2° 20/240F	76	1° 0/100C	05	20/240F -10/110C
62	2° 50/300F	77	1° 0/150C	07	50/300F 10/150C

Other ranges available with 2 1/2" stems and longer.

▶ STANDARD MODELS and SPECIFICATIONS:

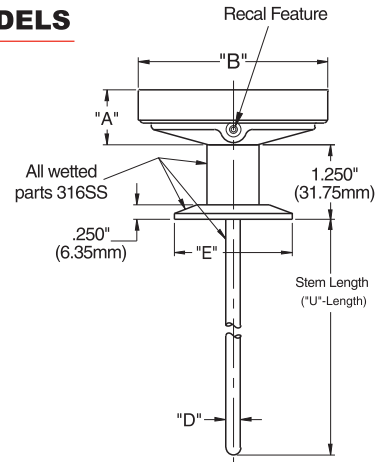
Model	"A"	"B"	"C"
SGT300R	.890" (22.61mm)	3.187" (80.95mm)	—
SGT400R	.890" (22.61mm)	4.115" (104.50mm)	—
SGT500R	1.328" (33.73mm)	5.040" (128.02mm)	—
SBC350R	1.187" (30.15mm)	3.187" (80.95mm)	1.875" (47.63mm)
SBC450R	1.187" (30.15mm)	4.115" (104.50mm)	2.625" (66.68mm)
SBC550R	1.625" (41.28mm)	5.040" (128.02mm)	2.625" (66.68mm)
SAA375R	2.430" (61.72mm)	3.187" (80.95mm)	—
SAA475R	2.430" (61.72mm)	4.115" (104.50mm)	—
SAA575R	2.660" (67.56mm)	5.040" (128.02mm)	—

Tri-Clamp Fitting	"E"
* 3/4"	.984" (25.00mm)
** 1 1/2"	1.984" (50.40mm)
2"	2.516" (63.90mm)
2 1/2"	3.047" (77.40mm)
3"	3.579" (90.90mm)
4"	4.682" (118.90mm)

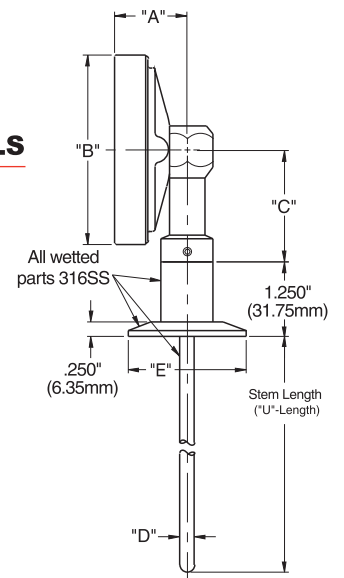
Stem Length ("U" Length)
1.625" (41.28mm)
2.500" (63.50mm)
4.500" (114.30mm)
7.500" (190.50mm)
10.500" (266.70mm)
13.500" (342.90mm)
16.500" (419.10mm)
22.500" (571.50mm)

* Used on both 1/2" and 3/4" lines.
 ** Used on both 1" and 1 1/2" lines.

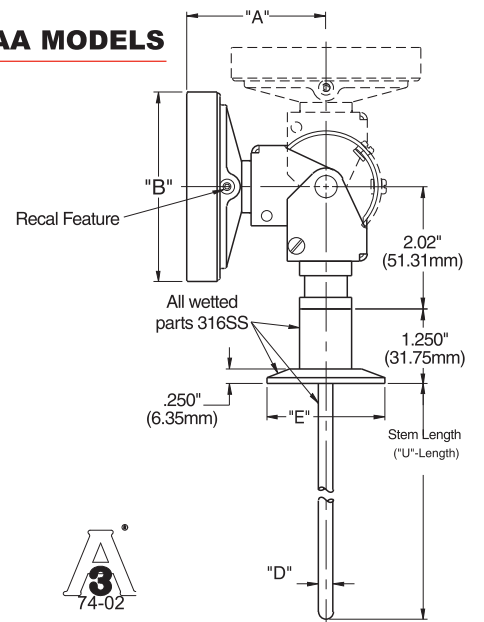
▶ SGT MODELS



▶ SBC MODELS



▶ SAA MODELS



Tel-Tru Manufacturing Company

408 St. Paul St., Rochester, New York 14605 USA

Phone: 585.232.1440 • 800.232.5335 • Fax: 585.232.3857 • E-mail: info@teltru.com • Web: www.teltru.com

SBTSH804

REPRESENTED BY: YATES & COMPANY, INC. 1 Hollywood Ave, Unit 22 HoHoKus, NJ 07423

Tel: 201-345-3101 • Email: info@yatesco.net