



TEL-TRU MANUFACTURING COMPANY

DIGI-TEL SANITARY THERMOMETERS

This heavy duty thermometer meets 3A Standard Number 74-02, Sanitary Standards for Sensors and Sensor Fittings and Connections Used on Milk and Milk Products Equipment. Other applications include food and beverage processing and the pharmaceutical industry.

No thermowell is required because a Tri-Clamp® sanitary fitting is integral to the thermometer, reducing installation and instrument costs.



► **MODEL CODES** (all models include integrated stem and sanitary fitting):

Back	SD1B	3" diameter head
Connected	SD5B	5" diameter head
Bottom	SD1C	3" diameter head
Connected	SD5C	5" diameter head
Adjustable	SD1A	3" diameter head
Angle	SD5A	5" diameter head

► **SPECIFICATIONS:**

- Stem Lengths: 1⁵/₈, 2¹/₂, 4¹/₂, 7¹/₂, 10¹/₂, 13¹/₂, 16¹/₂, and 22¹/₂".
- Stem Diameter: .250".
- Connection: Tri-Clamp fitting sizes 3/4", 1 1/2", 2, 3, and 4".
- Material: 316L SS wetted parts, 304SS non-contact parts.
- Hermetic Seal: Per ASME B40.3 dustproof and moisture resistant.
- Lens: Glass. Polycarbonate optional.
- Power Source: Lithium battery
- Service Life: 5 years
- Sensor: Pt1000
- Resolution: 0.1°
- Reading Cycle: 3 second intervals
- Pressure Tested: Up to 250 psi.
- Surface Finish: All wetted parts, max. 32 micro-inches (.80 microns) on stem, weld radius, and underside of flange, per 3A Standard 74-02.
- Ambient Operating Temperature: -4 to 140°F (-20 to 60°C)

	3" Models	5" Models	
Display Type	Analog/Digital Readout: <u>Analog</u> "gradations" similar to dial thermometers <u>Digital</u> readout for exact reading	Digital Only Readout	
Size	.43" (11mm)	1.06" (27mm)	
Factory Calibrated Temperature Ranges	Accuracy ≤ 1% FS	Accuracy ≤ 1% FS	
	-80/120°F	-40/80°C	-75/750°F
	-40/160°F	0/120°C	-60/400°C
	0/250°F	0/200°C	
	0/400°F	0/300°C	
	25/125°F		
	50/550°F		
	150/750°F		

Tri-Clamp is a registered trademark of Tri-Clover, Inc.

* Used on both 1/2 and 3/4" lines.

** Used on both 1 and 1 1/2" lines.



www.teltru.com

World-Class Thermometers Since 1916

DIGI-TEL SANITARY THERMOMETERS

▶ HOW TO ORDER

3" Case, Adjustable Angle, 50/550°F Range, Glass Window, .250" 316L SS stem, 4.5" stem length, 1½" Tri-Clamp sanitary fitting

A	B	C	D	E	F	G
S	D	1	A	0	6	1
0	0	0	P	2	2	C
H	30	-	1	0		

Code	Description																																																
A	Model SD1 3" Case SD5 5" Case																																																
B	Mounting Style A Adjustable Angle B Back Connected C Bottom Connected																																																
C	Range <table border="1"> <thead> <tr> <th colspan="2">Fahrenheit</th><th colspan="2">Celsius</th></tr> <tr> <th>Code</th><th>Temp.</th><th>Code</th><th>Temp.</th></tr> </thead> <tbody> <tr> <td colspan="4">SD1 - 3" Cases, Analog/Digital</td></tr> <tr> <td>01</td><td>-80/120°F</td><td>51</td><td>-40/80°C</td></tr> <tr> <td>02</td><td>-40/160°F</td><td>52</td><td>0/120°C</td></tr> <tr> <td>03</td><td>25/125°F</td><td>56</td><td>0/200°C</td></tr> <tr> <td>04</td><td>0/250°F</td><td>55</td><td>0/300°C</td></tr> <tr> <td>05</td><td>0/400°F</td><td></td><td></td></tr> <tr> <td>06</td><td>50/550°F</td><td></td><td></td></tr> <tr> <td>07</td><td>150/750°F</td><td></td><td></td></tr> <tr> <td colspan="4">SD5 - 5" Cases, Digital only</td></tr> <tr> <td>09</td><td>-75/750°F</td><td>58</td><td>-60/400°C</td></tr> </tbody> </table>	Fahrenheit		Celsius		Code	Temp.	Code	Temp.	SD1 - 3" Cases, Analog/Digital				01	-80/120°F	51	-40/80°C	02	-40/160°F	52	0/120°C	03	25/125°F	56	0/200°C	04	0/250°F	55	0/300°C	05	0/400°F			06	50/550°F			07	150/750°F			SD5 - 5" Cases, Digital only				09	-75/750°F	58	-60/400°C
Fahrenheit		Celsius																																															
Code	Temp.	Code	Temp.																																														
SD1 - 3" Cases, Analog/Digital																																																	
01	-80/120°F	51	-40/80°C																																														
02	-40/160°F	52	0/120°C																																														
03	25/125°F	56	0/200°C																																														
04	0/250°F	55	0/300°C																																														
05	0/400°F																																																
06	50/550°F																																																
07	150/750°F																																																
SD5 - 5" Cases, Digital only																																																	
09	-75/750°F	58	-60/400°C																																														
D	Display Options 100 None 101 Polycarbonate Window																																																
E	Probe P22 .250" 316L SS stem																																																
F	Stem Length ("U") IC 1.625" 02 2.5" CH 4.5" AT 7.5" DC 10.5" EC 13.5" FJ 16.5" JQ 22.5" <i>Other stem lengths available upon request.</i>																																																
G	Sanitary Fitting Size 05 ¾" Tri-Clamp (316L SS)* 10 1½" Tri-Clamp (316L SS)** 20 2" Tri-Clamp (316L SS) 25 2½" Tri-Clamp (316L SS) 30 3" Tri-Clamp (316L SS) 40 4" Tri-Clamp (316L SS) * Used on both ½ and ¾" lines. ** Used on both 1 and 1½" lines.																																																

▶ STANDARD MODELS and SPECIFICATIONS:

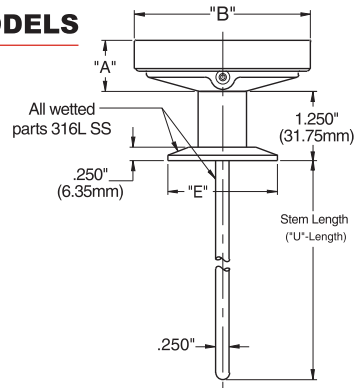
Model	"A"	"B"	"C"
SD1B	.890" (22.61mm)	3.187" (80.95mm)	—
SD5B	1.328" (33.73mm)	5.040" (128.02mm)	—
SD1C	1.187" (30.15mm)	3.187" (80.95mm)	1.875" (47.63mm)
SD5C	1.625" (41.28mm)	5.040" (128.02mm)	2.625" (66.68mm)
SD1A	2.430" (61.72mm)	3.187" (80.95mm)	—
SD5A	2.660" (67.56mm)	5.040" (128.02mm)	—

Tri-Clamp Fitting	"E"	Stem Length ("U" Length)
* ¾"	.984" (25.00mm)	1.625" (41.28mm)
** 1½"	1.984" (50.40mm)	2.500" (63.50mm)
2"	2.516" (63.90mm)	4.500" (114.30mm)
2½"	3.047" (77.40mm)	7.500" (190.50mm)
3"	3.579" (90.90mm)	10.500" (266.70mm)
4"	4.682" (118.90mm)	13.500" (342.90mm)
		16.500" (419.10mm)
		22.500" (571.50mm)

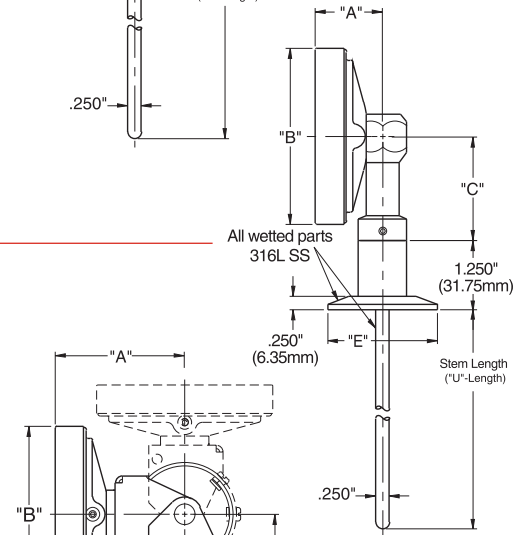
* Used on both ½ and ¾" lines.

** Used on both 1 and 1½" lines.

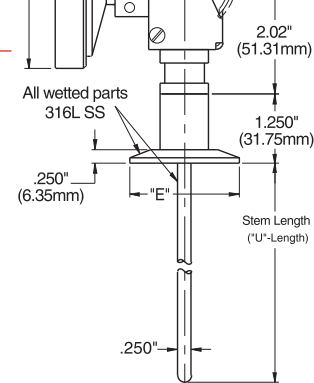
▶ SD_B MODELS



▶ SD_C MODELS



▶ SD_A MODELS



Tel-Tru Manufacturing Company

408 St. Paul St., Rochester, New York 14605 USA

Phone: 585.232.1440 • 800.232.5335 • Fax: 585.232.3857 • E-mail: info@teltru.com • Web: www.teltru.com

REPRESENTED BY: YATES & COMPANY, INC. ♦ 1 Hollywood Ave, Unit 22 HoHoKus, NJ 07423

Tel: 201-345-3101 ♦ Email: info@yatesco.net

DTST108_R1