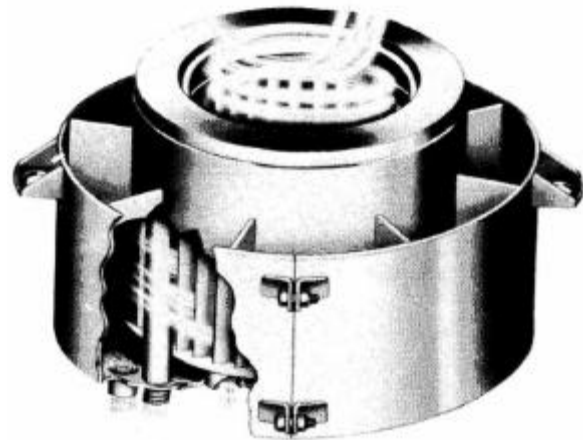


Anderson Internal Type BI Hi-eF Separators are designed to deliver clean, dry steam under virtually all operating conditions. In superheater applications, Type BI units help prevent solids from accumulating on superheater tube walls. These units are carried in stock for immediate delivery.

FOR STEAM DRUM INSTALLATION

OPERATION

The entrainment laden vapor enters the top of the separator, as far away from the liquid level in the drum as possible. In the first stage of separation, a downward rotary motion is imparted to the vapor. The controlled centrifugal force removes the greatest portion of the entrainment at this stage. In the second stage of separation, the rapid rotation is reduced to slow linear flow causing additional entrainment to drop out. The vapor then enters the third stage of separation, where further centrifugal motion is developed effecting practically complete removal of any entrainment. All entrainment is returned below the liquid level by means of ejects. The vapor, free from all entrainment, continues up and out the containing vessel.



FEATURES

ECONOMY — Costs no more than ordinary separator, yet provides virtually 100% entrainment removal.

COMPACT DESIGN — Occupies a minimum of space in steam drum or receiver.

LOW MAINTENANCE — No moving parts, nothing to wear out, no filter or screens. Hi-eF Separators clean themselves.

LOW PRESSURE DROP — Means better all around operations and adaptability.

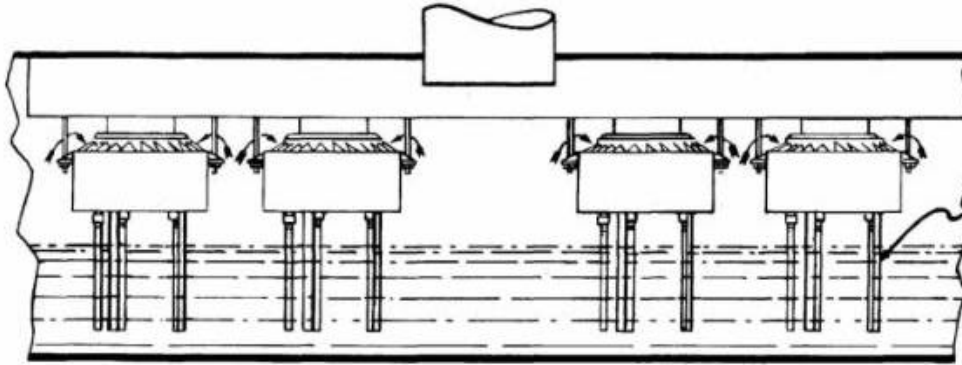
PERFORMANCE — Hi-eF Separators are designed to remove virtually all entrainment 10 microns in size and larger. In boiler service, Type BI Separators are guaranteed to deliver vapor having as low as 1.0 PPM total solids.

PERFORMANCE...

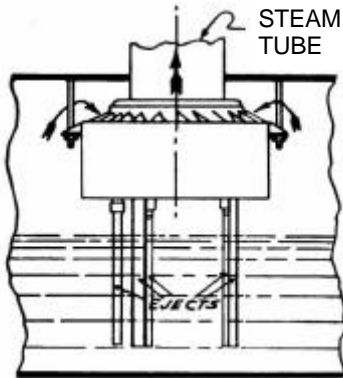
**guaranteed to deliver vapor
having as low as 1.0 PPM
total solids.**

More Information on Reverse Side...

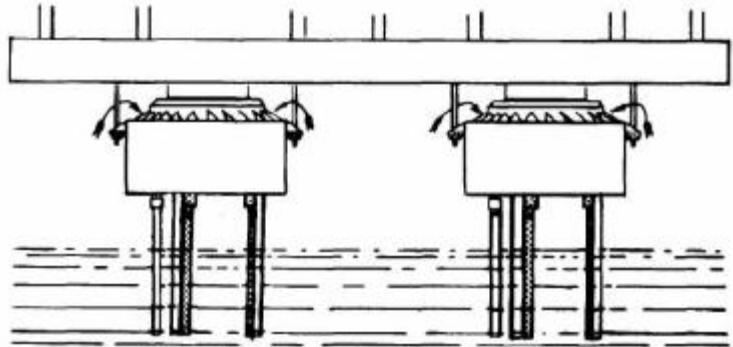
TYPICAL STEAM DRUM ARRANGEMENTS



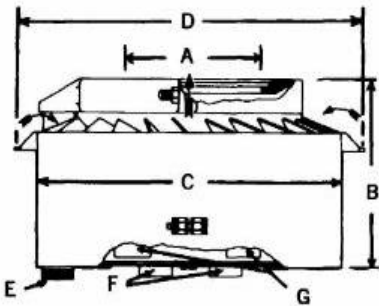
Single Steam Outlet — Two or more Separators



Single Steam Outlet — Single Separator



Multi-Tube Steam Outlet — Two or more Separators



Type	Ref	BI-6		BI-10	
		inches	mm	inches	mm
Nominal Pipe Size	A	6	150	10	250
Height	B	9	229	12¼	311
Diameter	C	17¼	438	21¼	540
Diameter Bolt Circle	D	19	483	23	584
Top Eject NPS	E	1½	40	1½	40
Bottom Ejects NPS (2)	F	2½	65	2½	65
Bottom Ejects NPS (1-BI-6) (2-BI-10)	G	2½	65	2½	65
		lbs	Kgs	lbs	Kgs
Weight		90	40.9	140	63.6

SPECIFICATIONS — Internal Type BI Separators available from stock only of fabricated carbon steel with Type 304L stainless steel element blades. Units shown in table are designed to pass through standard 10" X 16" (254 mm X 406 mm) and 11" X 15" (279 mm X 406 mm) elliptical manholes.

ANDERSON™ SEPARATOR COMPANY

A Division of The Clark•Reliance Corporation

16633 Foltz Industrial Parkway Strongsville, OH 44136 USA

Telephone: +1-440-572-1500 Facsimile: +1-440-238-8828

REPRESENTED BY: YATES & COMPANY, INC. ♦ 1 Hollywood Ave, Unit 22 HoHoKus, NJ 07423
Tel: 201-345-3101 ♦ Email: info@yatesco.net

