

Cleanability Matters

Achieve controlled intrusion meeting ASME-BPE's strictest requirements by employing

- ASME BPE dimensions and Design Principles
- Precision-Bore borosilicate glass
- Tightly tolerance EHEDG inspired O-ring capture

Maximize Production

- Shorten cleaning cycles and prevent product loss
- Surpass your CIP & SIP requirements

"The Jacoby-Tarbox Hy-Sight has the best transition point I have ever seen, or felt, in a hygienic sight flow indicator."

- Lead System Designer
Major Hygienic Systems Packager

No-Gall Threads

- ACME threads
- Eliminate potential for cross-threading
- Easy maintenance

Positive Stop Design

- Eliminates over-compression of O-ring into tube bore
- No exposed threads to trap debris

Highest Pressure Rating

- Highest safety factor versus system design pressure
- Replace bulls-eye units improving cleanability while saving space and cost



Jacoby-Tarbox
Hy-Sight™

Jacoby-Tarbox
Hy-Sight™ Full View

Maximize Your View

Hy-Sight

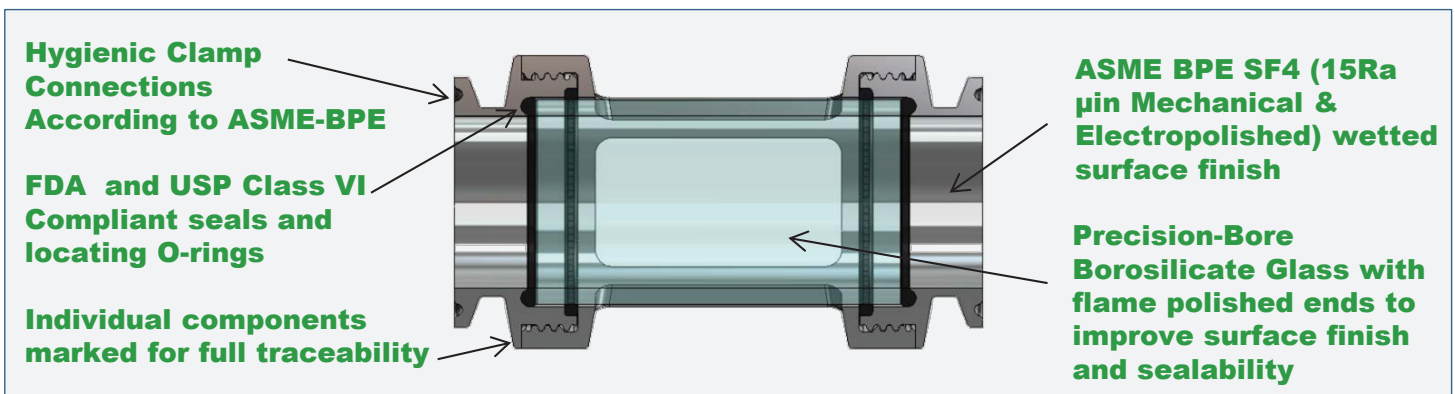
4 window design, *Largest* view of any slim, low-profile sight flow indicator

- Provides maximum process visibility
- Superior view in any orientation

Full View Hy-Sight

360° view design available in custom lengths

- See from any position in the plant
- Observe unique, "must see" process conditions



Specify Your Unit

Model		Size		Wetted Metal		Head		Window		O-Ring	
<input type="text"/>		<input type="text"/>		<input type="text"/>		<input type="text"/>		<input type="text"/>		<input type="text"/>	
Model	Code										
Hy-Sight (shown below)	THY-										
Hy-Sight Full View	TFV-										
Size	Code	Size	Code								
1/4"	04	2"	18								
3/8"	06	2-1/2"	20								
1/2"	08	3"	22								
3/4"	10	4"	24								
1"	12	*6"	28								
1"A	13	*8"	30								
1 1/2"	16										

O-Ring Seal Material

EPDM (302°F/150°C) **E**

FKM (Viton®) (392°F/200°C) **V**

Silicone, (392°F/200°C) **S**

Platinum Cured

FEP Encapsulated **T**

Silicone (392°F/200°C)

Special Material XG **XG**

Window Material

Annealed Boro (450°F/232°C) **A**

Acrylic (Plexiglas®) (160°F/71°C) **P**


Special Material **XW**

Head Surface Finish

15 Ra – Electropolished **F4**

Special Finish **XF**

**“Out-Of-Box”
Compliant**



Head Material

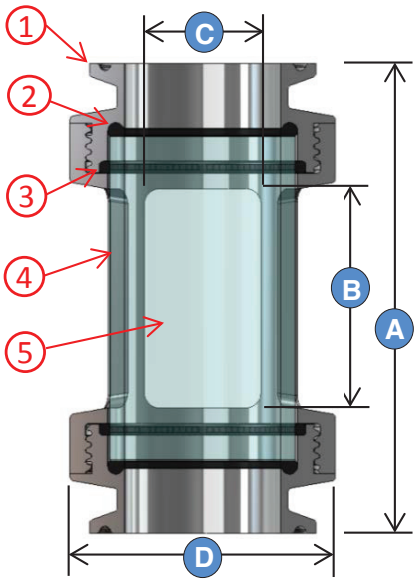
316L SS **6L**

Hastelloy® C22 **H2**

Hastelloy® C276 **H6**

AL6XN® **6X**

**6" & *8" Only Available In Full View*



Hy-Sight™

Item	Description	Qty
①	Head	1
②	Sealing O-Ring	2
③	Alignment O-Ring	2
④	Body	1
⑤	Window Cylinder	1

Size*	A (OAL)		B (View L)		C (View W)		D (Unit OD)		Weight		Pressure	
	IN	mm	IN	mm	IN	mm	IN	mm	Lb	Kg	psi	Bar
1/4	2.6	65	0.5	12.6	0.2	6.0	0.9	24	0.33	0.15	300	21
3/8	2.6	65	0.5	11.7	0.4	9.0	0.9	24	0.40	0.18	300	21
1/2	3.0	76	0.9	21.9	0.4	10.0	1.2	30	0.47	0.21	300	21
3/4	3.4	87	1.2	32	0.6	14	1.5	37	0.58	0.26	250	17
1A	3.6	91	1.5	37	0.6	16	1.8	46	0.82	0.37	200	14
1	3.6	91	1.5	37	0.6	16	1.8	46	1.09	0.49	200	14
1 1/2	4.1	105	1.9	49	1.0	26	2.3	59	1.19	0.54	150	10
2	4.7	120	2.5	64	1.4	35	2.9	73	1.62	0.74	125	9
2 1/2	5.9	151	3.7	94	1.8	46	3.5	89	2.52	1.14	125	9
3	6.9	175	4.7	118	2.1	54	4.0	101	1.44	3.18	110	8
4	7.9	200	5.6	144	2.8	70	5.0	126	5.02	2.28	90	6

* Hygienic clamp dimensions are in accordance with ASME-BPE, shown in inches